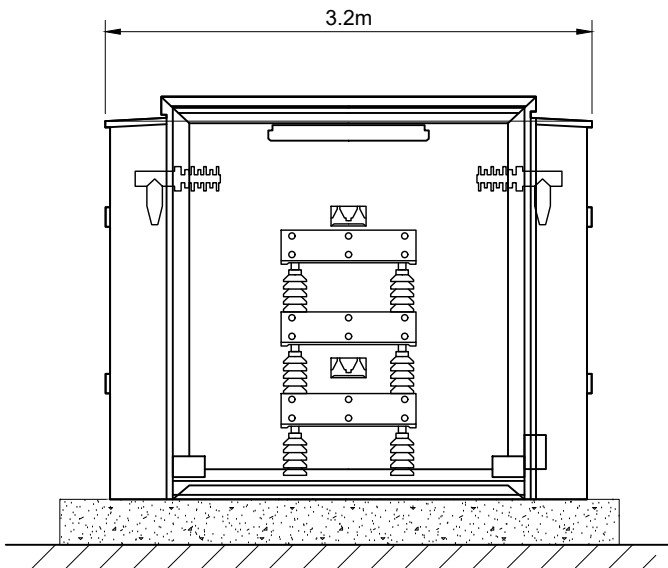
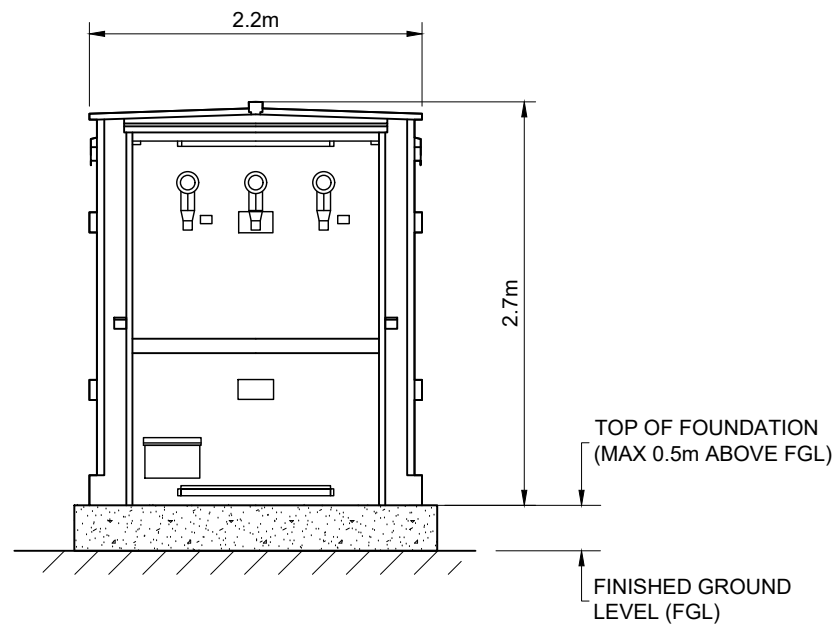


PLAN
SCALE 1:50



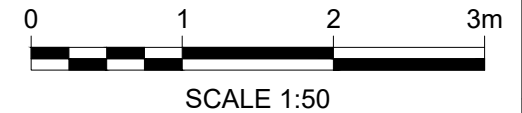
ELEVATION A
SCALE 1:50



ELEVATION B
SCALE 1:50

NOTES:

1. ALL DIMENSIONS ARE IN METRES UNLESS OTHERWISE STATED.
2. DETAILS SHOWN ARE TYPICAL AND SUBJECTED TO DETAILED DESIGN.
3. ALL DIMENSIONS ARE APPROXIMATE AND SUBJECT TO DETAILED DESIGN.
4. SUITABLE SAFETY SIGNAGE FOR HV ELECTRICAL INSTALLATION TO BE INSTALLED.



1	BM	BY APPD	MC	2023-04-25	FIRST ISSUE
ISSUE	DRAWN	CHKD	APPD	DATE	REVISION NOTES
PURPOSE					COORDINATES
PLANNING					N/A
SCALE					DATUM
1:50 @A3					N/A
LAYOUT DRAWING					T-LAYOUT NO
N/A					N/A

PROJECT TITLE
**COLESHILL GREEN
HYDROGEN FACILITY**

DRAWING TITLE
**GRID COMPLIANCE
EQUIPMENT
PRE-INSERTION RESISTOR**

RES DRAWING NUMBER	REV
05040-RES-SUB-DR-PT-018	1

THIS DRAWING IS THE PROPERTY OF RENEWABLE ENERGY SYSTEMS LIMITED AND NO REPRODUCTION MAY BE MADE IN WHOLE OR IN PART WITHOUT PERMISSION



BEAUFORT COURT,
EGG FARM LANE,
KINGS LANGLEY,
HERTS WD4 8LR, UK
TEL +44 (0) 1923 299200
WWW.RES-GROUP.COM