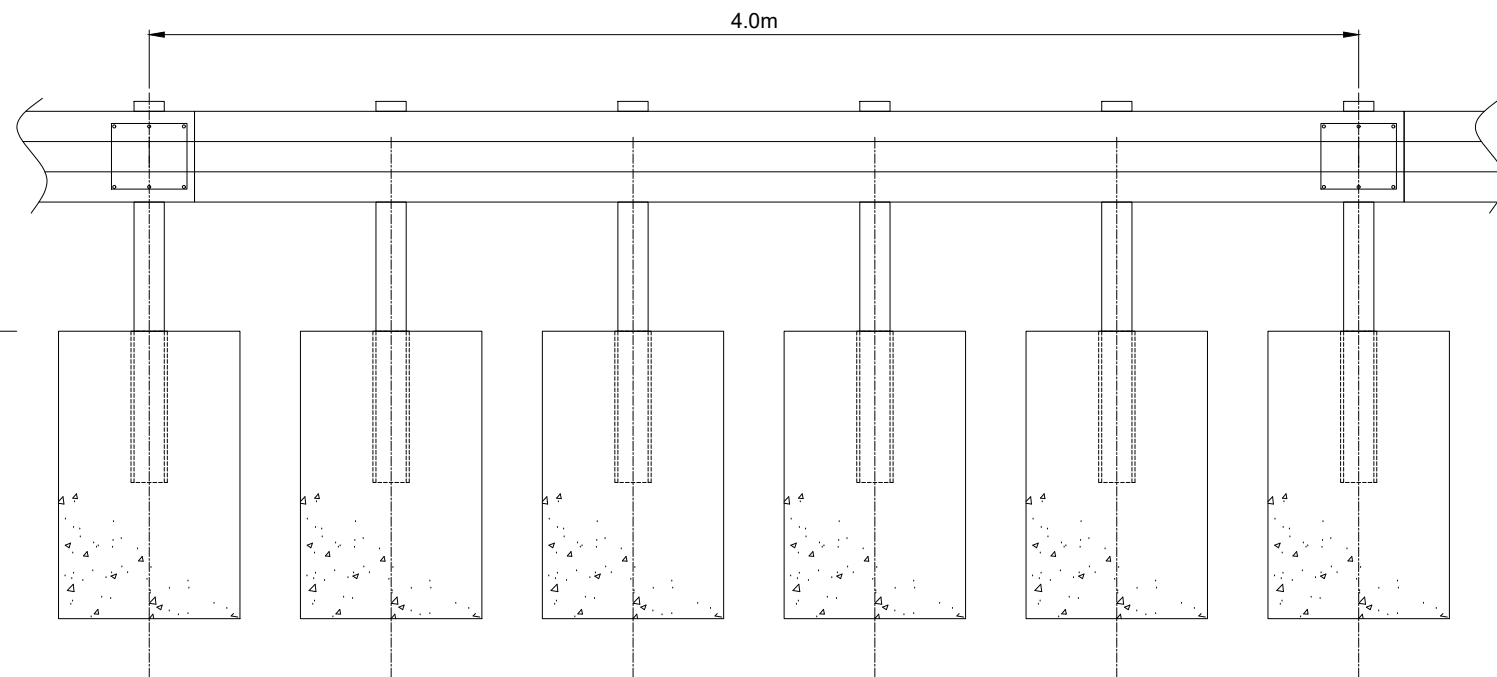
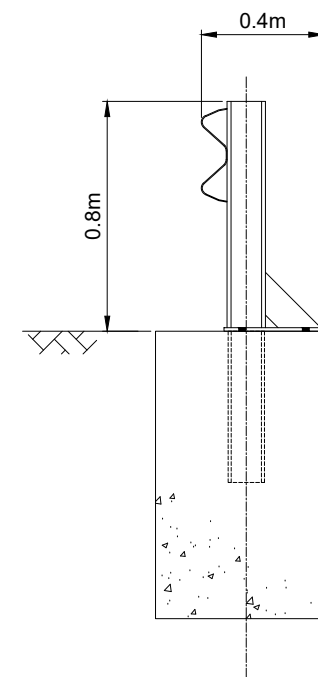


PLAN



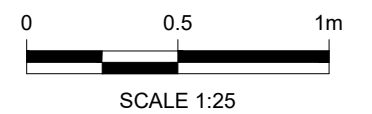
ELEVATION



SIDE VIEW

NOTES:

1. ALL DIMENSIONS ARE MAXIMUM ANTICIPATED AND SUBJECT TO DETAILED DESIGN.
2. FOUNDATIONS SHOWN ARE INDICATIVE AND SUBJECT TO DETAILED DESIGN.



1	BM	BY APPD	MC	2023-04-25	FIRST ISSUE
ISSUE	DRAWN	CHKD	APPD	DATE	REVISION NOTES
PURPOSE					COORDINATES
PLANNING					N/A
SCALE				@A3	DATUM
1:25					N/A
LAYOUT DRAWING					T-LAYOUT NO
N/A					N/A

PROJECT TITLE
**COLESHILL GREEN
 HYDROGEN FACILITY**

DRAWING TITLE
**TYPICAL VEHICLE
 BARRIER**

RES DRAWING NUMBER	REV
05040-RES-SEC-DR-PT-003	1

THIS DRAWING IS THE PROPERTY OF RENEWABLE ENERGY SYSTEMS LIMITED AND NO REPRODUCTION MAY BE MADE IN WHOLE OR IN PART WITHOUT PERMISSION



BEAUFORT COURT,
 EGG FARM LANE,
 KINGS LANGLEY,
 HERTS WD4 8LR, UK
 TEL +44 (0) 1923 299200
 WWW.RES-GROUP.COM